

### DESCRIPTION

- Metal construction with chrome finish
- G1/2 connections
- Thermostatic valve design and with 3F hand shower,

### OPERATION

- Knob style handle
- Temperature handle operates through a 237° arc with maximum cold at full clockwise rotation and maximum hot at full counterclockwise rotation
- Safety stop preset temperature at 38°C
- Factory established temperature range from 20° C to 49° C

### FLOW

- Flowrate at 0.1Mpa is:  
about 10.5L in tub spout  
about 4.5L with handshower  
about 9.0L with showerbar

### CARTRIDGE

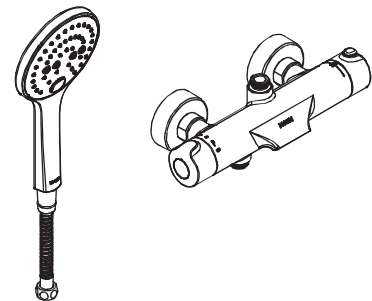
- Thermostatic cartridge design with Nonmetallic/no-ferrous material

### STANDARD

- Designed to meet QB2806

### WARRANTY

- 5 years limited warranty against leaks and drips



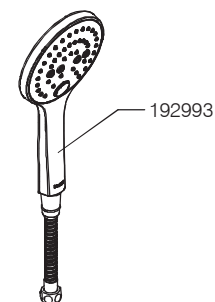
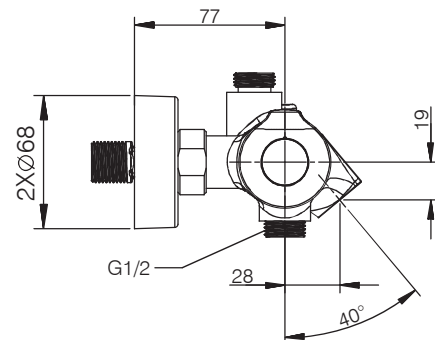
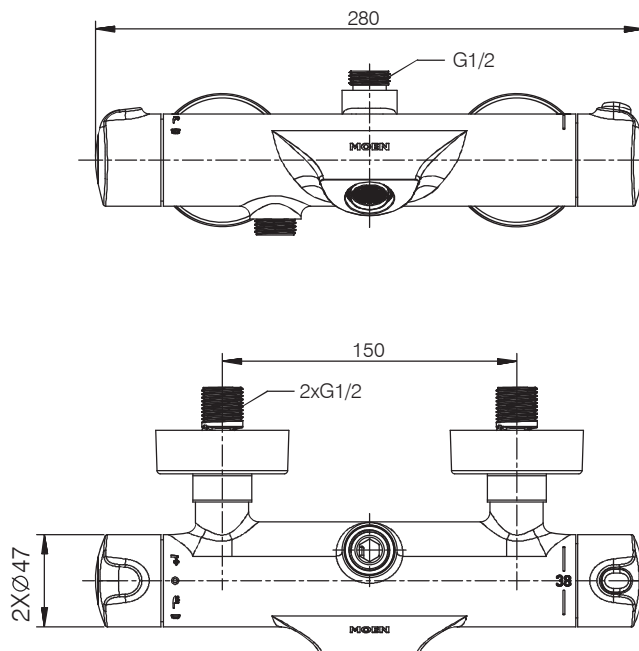
CARSON

THERMOSTATIC BATH FAUCET

Models: 91071EC

Match with MOEN 2295EC SHOWER BAR

Units : mm



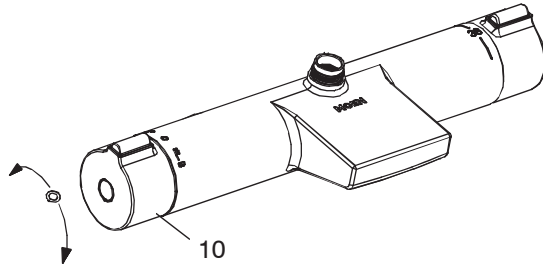
CRITICAL DIMENSION

(DO NOT SCALE)

### Usage :

#### 1. Usage of Diverter handle :

Shower faucet Diverter handle can be rotated by 90° , with functions of Spout, Off,handheld shower,showerhead  
Tub/Shower faucet Diverter handle can be rotated by 180° , every 90° have one function:  
Spout, off, handheld shower,showerhead



Rotate control handle(10) in clockwise/anti-clockwise 90° to transfer functions (Spout/off/handheld shower/shower head)

#### 2.Usage of controlling temperature of water by the handle with a button(12):

Factory established temperature range from 20° C to 49° C ;

Safety stop preset temperature at 38° C calibration;

1.1 Turn the handle (11) clockwise , water temperature will turn to 20°C from 38°C;

1.2 Press the button (12)down and turn the handle(11) anticlockwise, water temperature will up to 49° C

