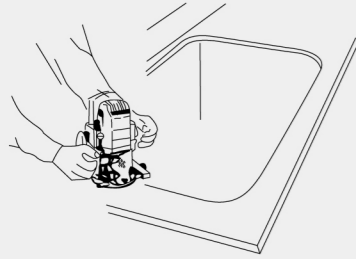


3. Make opening edges and desired round corners smooth with a grinder, files and sandpaper.

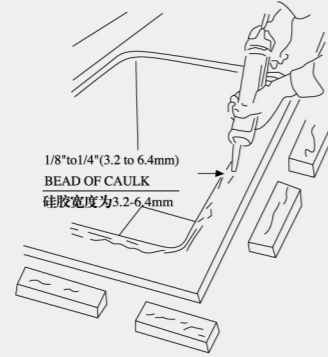
用修边机、锉刀和砂纸修平切口边缘，修出所需圆角。



③

4. Turn the countertop upside down. Apply a light type of caulking compound completely around all edge of sink opening. Stay approximately 1/4" (6.4mm) from cutout. Use only a 1/8" to 1/4" (3.2 to 6.4 mm) bead of compound. More will make sink difficult to seal. At the same time, prepare several pieces of 2 inch (50 mm) in width marble.

把台面翻转，在距切口周边大约1/4英寸(6.4mm)处涂上大理石专用胶，宽度为1/8-1/4英寸(3.2-6.4mm)，太多的复合胶反而造成厨盆密封困难。同时，准备一些2英寸(50mm)宽的大理石条。



④

5. Stick the sink on countertop and position them.

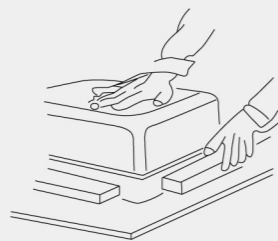
将厨盆粘贴在您的橱柜台面上，并对准位置。



⑤

6. Apply caulking compound on the pieces of marble. Stick them to the rim of sink and countertop, and then put weight on. Make sure that the pieces of marble cover 3/8" to 1/2" (10 to 12 mm) of the rim.

在大理石条上涂上复合胶，将它们粘贴在厨盆四周边缘，并加加重，保证石条压住盆边3/8-1/2英寸(10-12mm)



⑥

7. After the caulking get secure, turn the countertop with the sink and install it in position.

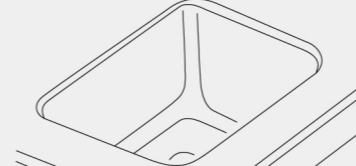
待粘结牢固后，将装好厨盆的台面翻转，并安装在您的橱柜上。



⑦

8. Clean up all excess caulking and pencil marks from countertop. Use a wet cloth or sponge and a mild cleanser to remove any grease or fingerprints from sink. Rub gently with the grain. Installation is now complete.

清除台面上的粘胶，用湿布或海绵和一种温和的清洁剂去除厨盆上的任何油渍和手印，可掺入一些磨料，轻轻擦洗。



⑧ 安装完毕

MAINTENANCE

保养信息

IMPORTANT:

- Rinse sink after use and wipe dry.
- **NEVER** use steel wool.
- Clean your sink frequently with a sponge or cloth.
- For stubborn stains use a mild non-scratch formula cleanser and rinse well.
- when using a mild cleanser, rub gently with the grain.
- **DO NOT** use rubber mats in sink bowls. Material trapped under mats can complicate cleaning.
- High iron content (hard water) may result in a brown or rust colored stain. If noticed, towel dry your sink after each use.
- Avoid full strength bleaches, household chemicals & soaps from coming in contact with your sink. If it occurs, rinse and wipe dry quickly.

注意事项:

- 厨盆使用完毕后，用清水冲洗并擦干。
- **不能使用**钢棉擦洗厨盆。
- 请经常用海绵或布清洁厨盆。
- 对付污渍，可不定期的用温和的洗涤剂清洁并用清水冲洗干净。
- 当用温和的洗涤剂清洁时，可掺上些磨料，轻轻擦洗。
- **不要在**厨盆里使用橡皮垫，因为橡皮垫下的污垢很难清洁。
- 含重金属成份的水(重水)会导致厨盆变色或产生锈斑，发现这种现象可在每次用完之后用毛巾擦干。
- 尽量避免强力漂白粉、家用化学品和肥皂长时间接触你的厨盆，如果发生上述情况，则需用水清洗并立刻擦干。



Buy it for looks. Buy it for life.

原材料厚度: 0.8mm

执行标准: GB/T 38474-2020

制造商: 摩恩(上海)厨卫有限公司

电话: 400-630-8866

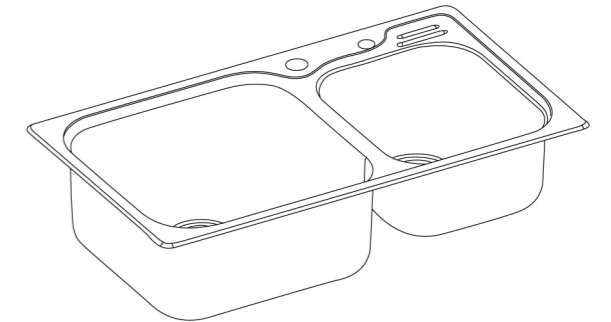
地址: 中国(上海)自由贸易试验区富特北路399号



Buy it for looks. Buy it for life.

INSTALLATION INSTRUCTIONS STAINLESS STEEL SINKS

摩恩不锈钢厨盆安装指导书



Please read the instructions completely before installing new sink.

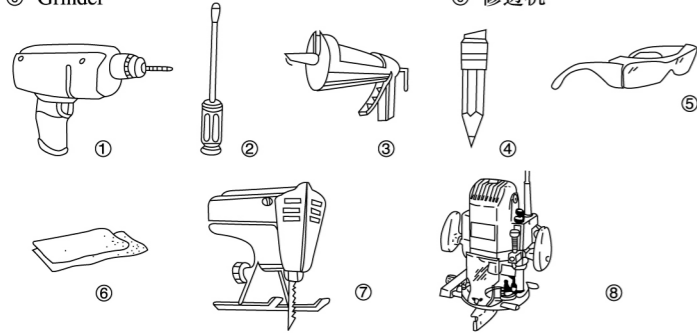
These instructions should be left with the consumer as they contain important maintenance information. Keep in a safe place for future reference.

请在安装前仔细阅读此安装指导书

由于此指导书包含了重要的产品保养信息，故需妥善保管以便日后查询。

HELPFUL TOOLS

- | | |
|------------------------------------|---------------------|
| ① Drill with 3/8" (10mm) Drill Bit | ① 电钻及3/8" (10mm) 钻头 |
| ② Long Shank Slotted Screwdriver | ② 长柄螺丝刀 |
| ③ Caulking Compound and Caulk Gun | ③ 防漏复合胶(硅胶)及填料枪 |
| ④ Soft Lead Pencil | ④ 铅笔 |
| ⑤ Safety Glasses | ⑤ 防护眼镜 |
| ⑥ Sandpaper | ⑥ 砂纸 |
| ⑦ Saber Saw | ⑦ 切割锯 |
| ⑧ Grinder | ⑧ 修边机 |



For safety and ease of installation, we recommend the use of the helpful tools above.

为了安全和操作方便，推荐使用上述工具。

Use caution during intallation, sink edges may be rough.

安装时请小心，以免被厨盆边缘擦伤。

CAUTION: Distinguish the sink between topcounter mount and undermount.

注意：仔细分清您所要安装的厨盆为台上盆还是台下盆。

INSTALLATION INSTRUCTIONS FOR TOPCOUNTER MOUNTS SINKS 台上盆安装说明

Prepare countertop by cleaning off all dirt and abrasives which could scratch sink rim.

1. Position sink upside down on countertop in desired position, or use sink template, if provided. CAUTION: Make sure cutout clears drawer opening and partition. Holding sink or template in place, trace completely around out-side. Do not use indelible markers, etc., which can't be removed later.

安装台的准备：清洁掉所有脏物和会刮伤水槽边缘的杂物。
1. 把厨盆在安装位置翻转，放置或使用安装模板，小心：明确切口线和边界线的准确位置，按住厨盆或模板，沿厨盆边缘描出轮廓，不要使用擦不掉的记号笔。

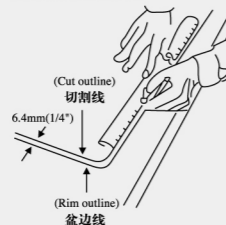


①

- 2 a. Remove sink. Draw cutout line 6.4mm(1/4") inside rim outline. **IMPORTANT: 6.4mm(1/4") measurement is critical.** Continue line completely around. The 6.4mm(1/4") provides adequate clearance for clamps.

拿开厨盆，在距边界线内侧6.4mm(1/4")处画出切割线。
注意：6.4mm(1/4")的尺寸要求非常准确，这距离足够安装紧固件。

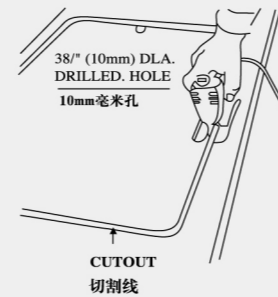
- b. Remove template, the outline is just the cutline. 移开模板，边界线就是切割线。



②

3. It is important your cutout be **EXACT**. First drill a 3/8" (10mm) dia. hold for the saber saw blade on the inside edge of the cutout. Cut sink opening, using the cutout line as your guide. Brace cutout portion as you complete cut to avoid splintering edge of hold. Sand edges smooth. Before installing clamps, check fit by placing sink in cutout. Make sure corners seat properly.

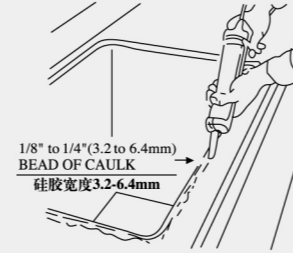
3. 准确的切割非常重要，首先钻一个直径为3/8"(10mm)的孔，在切割线内侧，用以放入切割锯的锯条，沿着所画的切割线切割出厨盆的位置，在切割完时，请扶住切除部分以免切割口破裂，用砂纸打平切口处，在安装紧固件前，把厨盆放入切口内用以检查切口大小及四角位置是否合适。



③

4. Apply a light type of caulking compound completely around all edges of sink opening. Stay approximately 1/4" (6.4mm) from cutout. Use only a 1/8" to 1/4" (3.2 to 6.4mm) bead of compound. More will make sink difficult to seal. Before installing your sink, install your **MOEN** faucet first. Refer to installation instructions supplied with your new faucet.

4. 在厨盆位置距切口大约1/4"(6.4mm)处填入一种透明的硅胶，胶水宽度为1/8"-1/4"(3.2-6.4mm)，过宽会导致厨盆与安装台之间密封不良，在放和厨盆前先安装龙头，龙头的安装请参考龙头的安装说明书。



④

5. Position sink by tilting back of sink up. Place front rim of sink close to front edge of sink opening, covering caulking with rim lower back of sink into opening position carefully.

5. 放置厨盆：将厨盆前缘紧贴台面开口处的前缘并覆盖胶，再将厨盆慢慢放下。



⑤

6. TO INSTALL "U" CLAMPS IN CHANNEL BAR: Insert the "U" clamps into channel bar from either open end. Position them with claw end under counter top edge. With "U" clamps equally spaced, and with one at each end of channel bar. CAUTION: Improper tightening of clamps could result in improper installation or cause damage to sink.

6. 在连接条处放置 "U" 型紧固件
从连接条任何一个端口处插入 "U" 型紧固件，将它们连同尾勾一起放置在台面边缘下面，平均分布 "U" 型紧固件，在每个连接条末端各放置一个。小心：紧固件过紧会导致安装错误甚至引起厨盆损坏。

Notice: put short wooden bar to adjust the gap between countertop and claw of clamps
注：“U”型紧固件下面根据台面厚度可加适当厚度的木板，达到紧固效果。

⑥

7. ① Hand tighten clamps, starting at center and working toward sides.
② Re-check sink position on countertop.
③ Tighten all clamps on additional quarter turn.

IMPORTANT: DO NOT OVER-TIGHTEN

7. ① 将紧固件从中间开始向两边逐个用手拧紧，
② 再次检查厨盆在台面上的位置，
③ 对所有紧固件再拧1/4圈。

注意：不要拧的过紧

⑦

8. ① Clean up all excess caulking and pencil marks from countertop.
② Use a wet cloth or sponge and a mild cleanser to remove any grease or fingerprints from sink. Rub gently with the grain.
Installation is now complete.

8. 清洁 ① 把台面上的复合胶以及铅笔划痕清除干净，
② 用湿布或海绵和一种温和的清洁剂去除厨盆上的任何油渍和手印，可掺入一些磨料，轻轻擦洗。
安装完毕

⑧

INSTALLATION INSTRUCTIONS FOR UNDERMOUNT SINKS 台下盆安装说明

The below steps for marble topcount kitchen cabinets.

以下安装适用于大理石台面。

1. Prepare countertop by cleaning off all dirt and abrasives. Position the provided sink template on countertop in desired position. Holding the template in place, trace completely around outside of the template. CAUTION: Do not use indelible markers etc. which can't be removed later.

将您的厨具台面清洁干净，把所提供的样板放在厨具台面需要安装水槽的合适位置上，按住样板，用记号笔按样板外形划线，注意：不要用擦不掉的记号笔。

①

2. Remove the template. First drill a 3/8" (or 10 mm) dia. hole for the saber saw blade on the inside edge of the cutout. Cut sink opening, using the cutout line as your guide. Brace cutout portion as you complete cut to avoid splintering edge of hole.

拿开样板，首先在切割线内侧钻一个直径为3/8英寸(或10mm)的孔。用以放入切割锯的锯条，沿着所划的切割线，切割出厨盆安装口。在切割完时，请扶住切除部分以免切割口爆裂。

②

